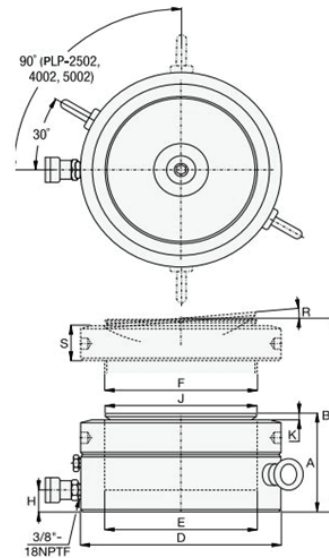
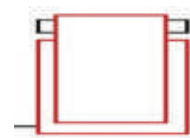


Low Profile Lock Nut Cylinders

- Overflow port functions as stroke limiter.
- Includes integral tilt saddles with maximum tilt angles up to 5°.
- Wiper seal fitted to most models to prevent penetration of dirt and extend cylinder life.
- Isonite QPQ is included. It improved durability, corrosion resistance, greater resistance and heat resistance.



Capacity :
60 - 520 Tons
Stroke :
45 - 50 mm
Max. Operating Pressure:
700 BAR



Cylinder Capacity	Stroke (mm)	Oil Capacity (cc)	Cylinder Effective Area (cm ²)	Weight (kg)	Model Number
60 Ton 606 kN	50	432	86.6	15	PLP-602
100 Ton 1027 kN	50	734	146.8	26	PLP-1002
160 Ton 1619 kN	45	1040	231.3	44	PLP-1602
200 Ton 1999 kN	45	1285	285.6	57	PLP-2002
260 Ton 2567 kN	45	1650	366.8	74	PLP-2502
400 Ton 3916 kN	45	2517	559.5	134	PLP-4002
520 Ton 5114 kN	45	3287	730.6	189	PLP-5002

Collapsed Height A (mm)	Extended Height B (mm)	Outside Dia. D (mm)	Bore Diam. E	Plunger Diam. F (mm)	Base to Advance Port H (mm)	Saddle Diam. J (mm)	Saddle Protrusion From Plunger K (mm)	Saddle Max. Tilt Angle R	Lock Nut Height S (mm)	Model Number
125	175	140	105	Tr104X4	19	96	6	5	28	PLP-602
137	187	175	136.7	Tr136X6	21	126	8	5	31	PLP-1002
148	193	220	171.6	Tr171X6	27	160	9	5	40	PLP-1602
155	200	245	190.7	Tr190X6	30	180	10	5	43	PLP-2002
159	204	275	216.1	Tr216X6	32	200	11	5	44	PLP-2502
178	223	350	266.9	Tr266X6	39	250	11	4	55	PLP-4002
192	237	400	305	Tr305X6	48	290	10	3	62	PLP-5002