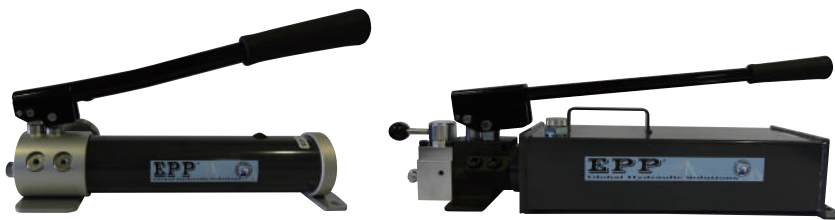


Hand Pumps

- Light weight and compact design.
- Two-speed operation on most models reduces handle strokes by as much as 78% compared to single speed pumps.
- Pressure relief valves for overload protection.
- Large oil capacity to power a wide range of cylinders or tools.
- EPH-1000AD can use in the horizontal position, also can be used with the outlet port facing upwards or downwards positions providing more flexibility in operation.



Reservoir Capacity:
350-7800cc
Flow at Rated Pressure:
0.82-4.75cc/stroke
Maximum Operating Pressure:
700 BAR

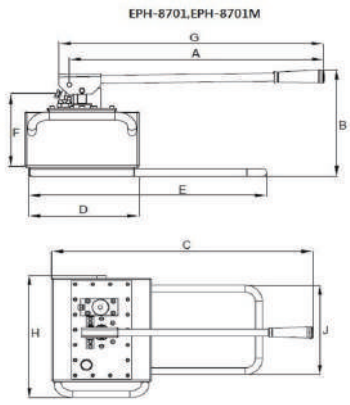
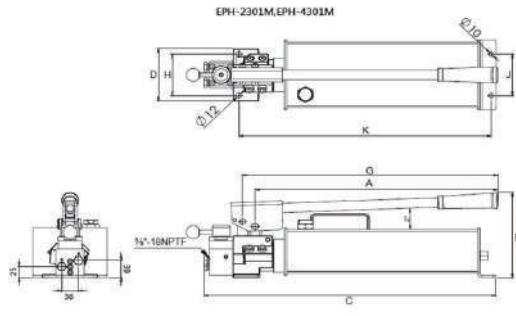
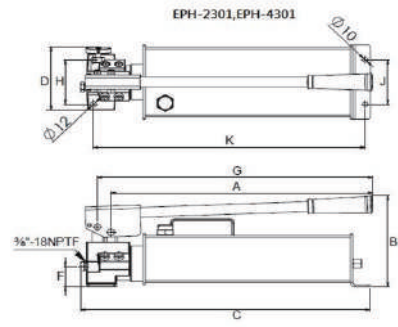
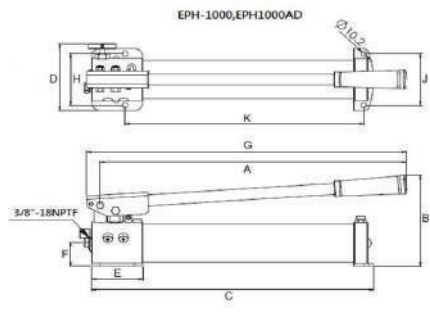
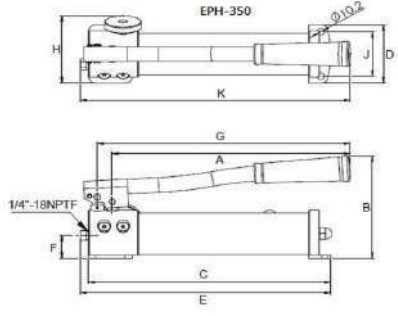
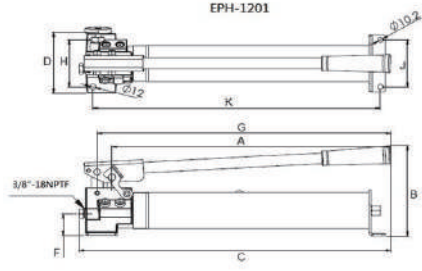
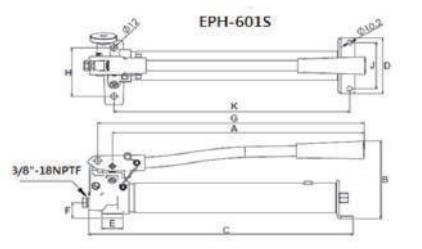


Model Number	Usable Oil Capacity (cc)	Oil Outlet Port	Pressure Rating/Oil Displacement per Stroke		Piston Stroke (mm)	Handle Operating Force (N)	Reservoir Construction
			1 st Stage (BAR/cc)	2 nd Stage (BAR/cc)			
Single Speed - Single Acting							
EPH601S	600	3/8"-18 NPTF	-	700/2.46	20	484.9	Steel
2-Speed - Single Acting							
EPH350	350	1/4"-18 NPTF	13.8/2.95	700/0.82	10	391.4	Aluminum
EPH1000	1000	3/8"-18 NPTF	13.8/13.27	700/2.29	21	440.4	Aluminum
EPH1000AD*	870-1000	3/8"-18 NPTF	13.8/13.27	700/2.29	21	440.4	Aluminum
EPH1201	1100	3/8"-18 NPTF	13.8/13.27	700/2.29	21	440.4	Steel
EPH2301	2200	3/8"-18 NPTF	13.8/13.27	700/2.29	21	440.4	Steel
EPH4301	4100	3/8"-18 NPTF	13.8/13.27	700/2.29	21	440.4	Steel
EPH8701	7800	3/8"-18 NPTF	20.01/126.34	700/4.75	43	636.1	Steel
2-Speed - Double Acting							
EPH2301M	2200	3/8"-18 NPTF	13.8/13.27	700/2.29	21	440.4	Steel
EPH4301M	4100	3/8"-18 NPTF	14/13.2	700/2.3	526	440.0	Steel
EPH8701M	7800	3/8"-18 NPTF	20.01/126.34	700/4.75	43	636.1	Steel

* Oil capacity varies by position. Pump can be mounted outlet up or down



EPH, Hand Pumps



Model Number	Dimensions (mm)										Weight w/Oil (kg)
	A	B	C	D	E	F	G	H	J	K	
Single Speed - Single Acting											
EPH601S	482	160	506	115	40	32	511	100	95	452	5.9
2-Speed - Single Acting											
EPH350	323	150	329	85	340	34	343	98	65	366	3.0
EPH1000	552	175	507	120	92	32	576	100	100	430	6.2
EPH1000AD*	552	177	507	129	92	46	576	100	100	430	6.2
EPH1201	525	182	586	123	-	44	552	95	95	540	9.3
EPH2301	525	173	609	135	-	44	553	95	90	573	12.6
EPH4301	524	195	581	135	-	44	551	95	95	545	17.1
EPH8701	655	295	771	293	614	210	684	387	284		34.5
2-Speed - Double Acting											
EPH2301M	525	173	659	120	-	-	553	95	90	573	14.7
EPH4301M	524	195	630	120	-	-	552	95	95	545	19.0
EPH8701M	655	295	771	293	614	229	684	387	284		35.1

* Oil capacity varies by position. Pump can be mounted outlet up or down and does not need to be horizontal.

Two Speed Hand Pumps



Reservoir Capacity:
350-7800cc
Flow at Rated Pressure:
0.82-4.75cc/stroke
Maximum Operating Pressure:
700 BAR

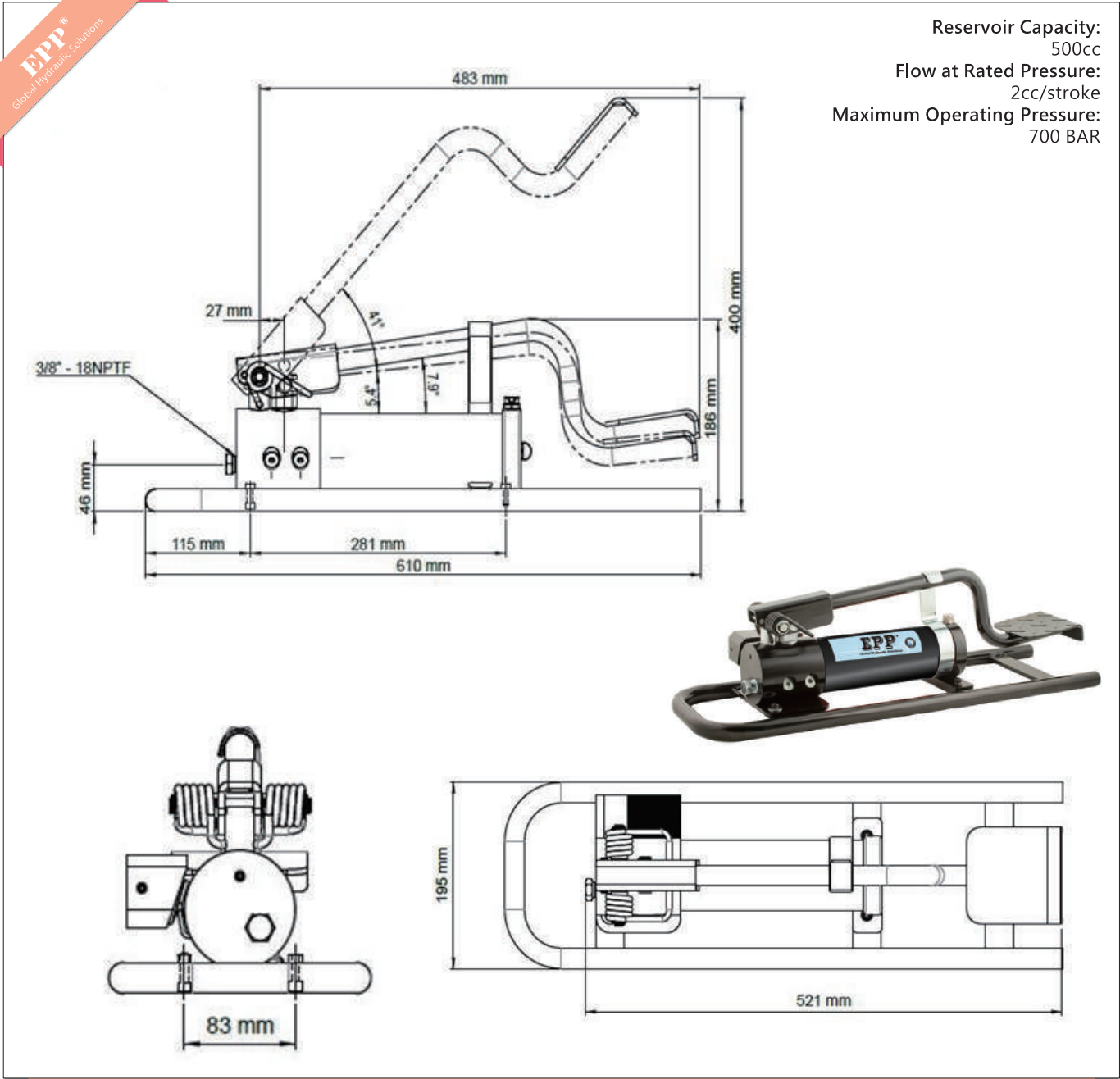
Model Number	Usable Oil Capacity (cm ³)	Pressure Rating / Oil Displacement per Stroke		Dimension (mm)			Weight (kg)
		1 st Stage (BAR/cc)	2 nd Stage (BAR/cc)	L	B	H	
EPH-1200	1200	14/15.50	700/2.80	536	137	142	9.00
EPH-3000	3000	14/15.50	700/2.80	536	137	142	13.00
EPH-462	7420	14/126.60	700/4.70	742	308	270	28.00
EPH-800	700	14/14.90	700/3.10	300	140	150	3.30
EPH-392	900	13/11.26	700/2.47	522	120	177	4.10
EPH-1300A	1300	14/14.90	700/3.10	510	140	150	4.60
EPH-464	7420	14/126.60	700/4.70	742	308	270	28.00

Foot Pumps

- Sturdy, durable and compact design.
- Two-speed operation reduces foot pedal strokes.
- Pressure relief valve for overload protection.
- Foot pedal lock and light weight components for easy carrying.



Reservoir Capacity:
500cc
Flow at Rated Pressure:
2cc/stroke
Maximum Operating Pressure:
700 BAR



Model Number	Usable Oil (cc)	Oil Outlet Port	Pressure Rating (BAR)		Oil Displacement per Stroke (cc)		Max. Handle Effort (kg)	Piston Stroke (mm)	Weight (kg)
			1st Stage	2nd Stage	1st Stage	2nd Stage			
EPF-500	500	3/8"-18 NPTF	13.8	690	13	2	57.7	21	8.2