

Air Pumps

- High strength reinforced alloy reservoir is lightweight and corrosion resistant.
- Pressure relief valves for overload protection.
- EPA1500M and EPA3801M offer a 4-way control valve for operation of double acting cylinders.
- EPA600H same as EPA600, but with Hand Operation.
- Maximum working pressure: 700 bar / 10,000 psi

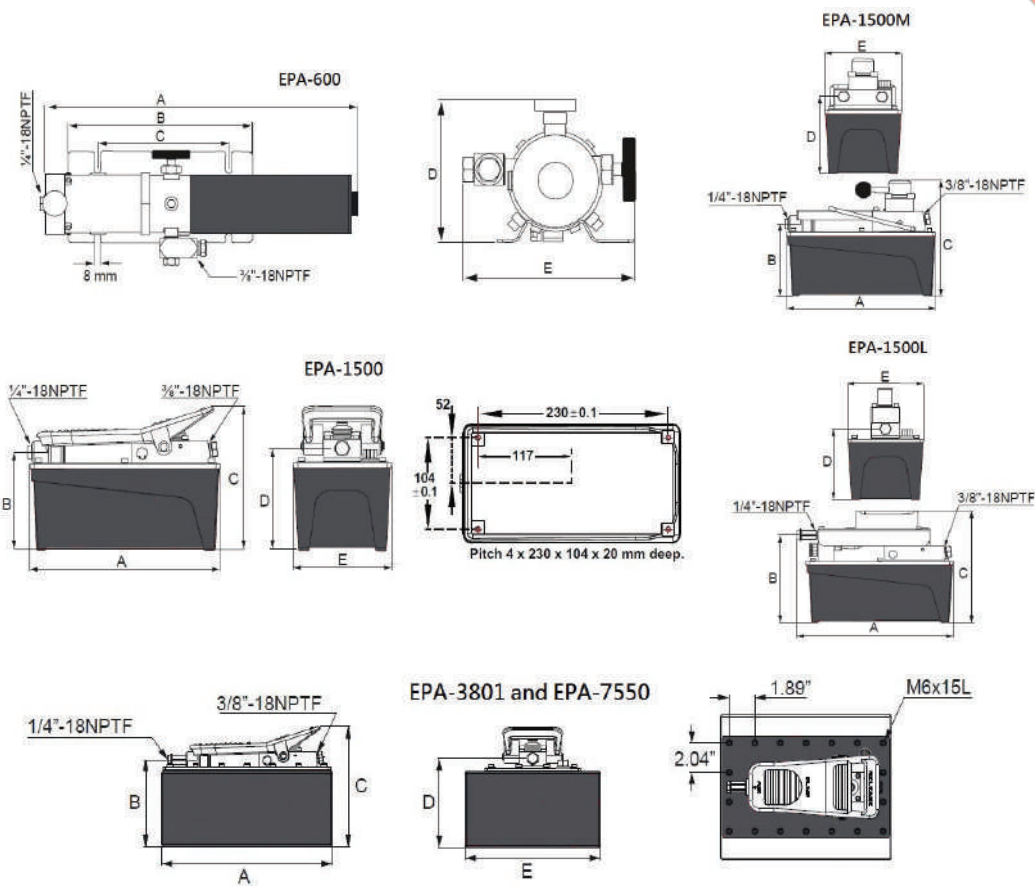


Reservoir Capacity:
600-7550 cc
Flow at Rated Pressure:
200cc/min
Maximum Operating Pressure:
700 BAR



Usable Oil Capacity (cc)	Oil Outlet Port	Output Flow Rate		Input Air Pressure Required (BAR)	Air Consumption (L/min)	Reservoir Construction	Model Number
		No Load (L/min)	Load (L/min)				
Single Acting							
600	3/8"-18 NPTF	1.00	0.15	7.59-12.07	220.87	Aluminum	EPA-600
600	3/8"-18 NPTF	1.00	0.15	7.59-12.07	220.87	Aluminum	EPA-600H
1500	3/8"-18 NPTF	1.08	0.18	7.59-12.07	220.87	Aluminum	EPA-1500
1500	3/8"-18 NPTF	1.08	0.18	7.59-12.07	220.87	Aluminum	EPA1500A*
1500	3/8"-18 NPTF	1.00	0.16	7.59-12.07	220.87	Aluminum	EPA1500L**
2000	3/8"-18 NPTF	1.07	0.20	7.59-12.07	220.87	Aluminum	EPA2000
3800	3/8"-18 NPTF	1.07	0.18	7.59-12.07	220.87	Steel	EPA3801
3800	3/8"-18 NPTF	1.00	0.16	7.59-12.07	220.87	Steel	EPA3801L**
7550	3/8"-18 NPTF	1.07	0.18	7.59-12.07	220.87	Steel	EPA7550
Double Acting							
1500	3/8"-18 NPTF	1.08	0.18	7.59-12.07	220.87	Aluminum	EPA1500M
3800	3/8"-18 NPTF	1.07	0.18	7.59-12.07	220.87	Steel	EPA3801M
7550	3/8"-18 NPTF	1.07	0.18	7.59-12.07	220.87	Steel	EPA7550M

* This unit is equipped with an external pressure adjustment (70-700 ber).
**These pumps are equipped with a hand held air powered pendant.



Base Mounting Holes	Dimensions (mm)					Weight w/Oil (kg)	Model Number
	A	B	C	D	E		
Single Acting							
yes	426	250	178	157	142	6.4	EPA-600
yes	426	250	178	114	146	5.7	EPA-600H
yes	263	127	185	131	136	8.2	EPA-1500
yes	263	127	185	131	136	8.2	EPA1500A*
yes	278	160	204	130	136	8.8	EPA1500L**
yes	321	163	207	132	187	9.1	EPA2000
no	321	129	187	133	187	12.3	EPA3801
no	321	163	207	132	187	13.8	EPA3801L**
no	321	127	211	156	214	16.3	EPA7550
Double Acting							
yes	267	127	203	136	136	8.7	EPA1500M
no	321	128	204	135	187	10.9	EPA3801M
no	321	152	229	161	255	18.1	EPA7550M

* Unit is equipped with an external pressure adjustment(70-700ber).

**These pumps are equipped with a hand held air powered pendant.