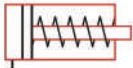
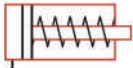
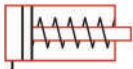
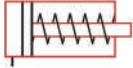
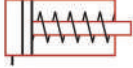

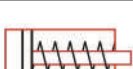

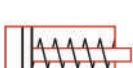




EPE, Electric Pumps

- Two-speed operation for rapid cylinder advance.
- Internal suction strainer keeps contamination from damaging pump.
- Starts under full load.
- 2 Large easy-carry handles.
- Robust and durable design meets the demands of industrial applications.

Use With Cylinder Type		Flow Rate				Motor Size		
		1 st Stage		2 nd Stage				
		L/min	BAR	L/min	BAR			
Dump Manual Valve w/10 ft. Pendant & Locking Plate								
2W/2P Advance/ Return		4.80	24.15	0.30	700	0.5Hp		
		5.10	48.30	0.61	700	1.0Hp		
		7.80	48.30	1.00	700	1.5Hp		
Dump Solenoid Valve w/10 ft. Pendant & Locking Plate								
2W/2P Advance /Return (Auto*)		4.80	24.15	0.30	700	0.5Hp		
		5.10	48.30	0.61	700	1.0Hp		
		7.80	48.30	1.00	700	1.5Hp		
3W/2P Advance /Return**		4.80	24.15	0.30	700	0.5Hp		
		5.10	48.30	0.61	700	1.0Hp		
		7.80	48.30	1.00	700	1.5Hp		
Manual Valve								
3W/3P Advance /Hold Return		4.80	24.15	0.30	700	0.5Hp		
		5.10	48.30	0.61	700	1.0Hp		
		7.80	48.30	1.00	700	1.5Hp		
4W/3P Advance /Hold/Return		6.3	48	1.22	700	3Hp		
		4.80	24.15	0.30	700	0.5Hp		
		5.10	48.30	0.61	700	1.0Hp		
		7.80	48.30	1.00	700	1.5Hp		
		4.80	24.15	0.30	700	0.5Hp		
		5.10	48.30	0.61	700	1.0Hp		
		7.80	48.30	1.00	700	1.5Hp		
		Manual Valve w/10 ft. Motor Pendant						
		3W/3P Advance /Hold Return		4.80	24.15	0.30	700	0.5Hp
5.10	48.30			0.61	700	1.0Hp		
7.80	48.30			1.00	700	1.5Hp		
		6.3	48	1.22	700	3Hp		
		4.80	24.15	0.30	700	0.5Hp		
		5.10	48.30	0.61	700	1.0Hp		
		7.80	48.30	1.00	700	1.5Hp		
		Solenoid Valve w/10 ft. Pendant & Locking Plate						
		3W/3P Advance /Hold Return		4.80	24.15	0.30	700	0.5Hp
5.10	48.30			0.61	700	1.0Hp		
7.80	48.30			1.00	700	1.5Hp		
		6.3	48	1.22	700	3Hp		
		4.80	24.15	0.30	700	0.5Hp		
		5.10	48.30	0.61	700	1.0Hp		
		7.80	48.30	1.00	700	1.5Hp		

EPE, Electric Pumps



Usable Oil Capacity						
1 Gal	2 Gal	3 Gal	5 Gal	10 Gal	15 Gal	25 Gal
Model Number	Model Number	Model Number	Model Number	Model Number	Model Number	Model Number
Dump Manual Valve w/10 ft. Motor Pendant						
EPE30DMP01D	EPE30DMP02D	EPE30DMP03D	-	-	-	-
-	EPE40DMP02D	EPE40DMP03D	EPE40DMP05D	EPE40DMP10D		
-	-	EPE50DMP03D	EPE50DMP05D	EPE50DMP10D	EPE50DMP15D	EPE50DMP25D
Dump Solenoid Valve w/10 ft. Pendant						
EPE30H2S01D	EPE30H2S02D	EPE30H2S03D	-	-	-	-
-	EPE40H2S02D	EPE40H2S03D	EPE40H2S05D	EPE40H2S10D	-	-
-	-	EPE50H2S03D	EPE50H2S05D	EPE50H2S10D	EPE50H2S15D	EPE50H2S25D
EPE30DSP01D	EPE30DSP02D	EPE30DSP03D	-	-	-	-
-	EPE40DSP02D	EPE40DSP03D	EPE40DSP05D	EPE40DSP10D	-	-
-	-	EPE50DSP03D	EPE50DSP05D	EPE50DSP10D	EPE50DSP15D	EPE50DSP25D
Manual Valve						
EPE30M3N01D	EPE30M3N02D	EPE30M3N03D	-	-	-	-
-	EPE40M3N02D	EPE40M3N03D	EPE40M3N05D	EPE40M3N10D	EPE40M3N15D	EPE40M3N25D
-	-	EPE50M3N03D	EPE50M3N05D	EPE50M3N10D	EPE50M3N15D	EPE50M3N25D
EPE30M4N01D	EPE30M4N02D	EPE30M4N03D	-	-	-	-
-	EPE40M4N02D	EPE40M4N03D	EPE40M4N05D	EPE40M4N10D	EPE40M4N15D	EPE40M4N25D
-		EPE50M4N03D	EPE50M4N05D	EPE50M4N10D	EPE50M4N15D	EPE50M4N25D
Manual Valve w/10 ft. Motor Pendant						
EPE30W3N01D	EPE30W3N02D	EPE30W3N03D	-	-	-	-
-	EPE40W3N02D	EPE40W3N03D	EPE40W3N05D	EPE40W3N10D	EPE40W3N15D	EPE40W3N25D
-	-	EPE50W3N03D	EPE50W3N05D	EPE50W3N10D	EPE50W3N15D	EPE50W3N25D
EPE30W4N01D	EPE30W4N02D	EPE30W4N03D	-	-	-	-
-	EPE40W4N02D	EPE40W4N03D	EPE40W4N05D	EPE40W4N10D	EPE40W4N15D	EPE40W4N25D
-		EPE50W4N03D	EPE50W4N05D	EPE50W4N10D	EPE50W4N15D	EPE50W4N25D
Solenoid Valve w/10 ft. Pendant						
EPE30S3L01D	EPE30S3L02D	EPE30S3L03D	-	-	-	-
-	EPE40S3L02D	EPE40S3L03D	EPE40S3L05D	EPE40S3L10D	EPE40S3L15D	EPE40S3L25D
-	-	EPE50S3L03D	EPE50S3L05D	EPE50S3L10D	EPE50S3L15D	EPE50S3L25D
EPE30S4L01D	EPE30S4L02D	EPE30S4L03D	-	-	-	-
-	EPE40S4L02D	EPE40S4L03D	EPE40S4L05D	EPE40S4L10D	EPE40S4L15D	EPE40S4L25D
-	-	EPE50S4L03D	EPE50S4L05D	EPE50S4L10D	EPE50S4L15D	EPE50S4L25D

Single Phase Pump Matrix Chart

If you don't see a pump that would fit your application needs, you can custom build a pump to your desired specifications. Use this Pump Matrix Chart as a guide for creating your very own custom built Electric Pump. For assistance in building your pump, call your local EPP Representative.

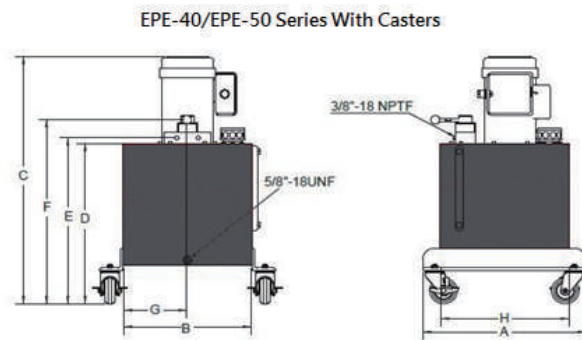
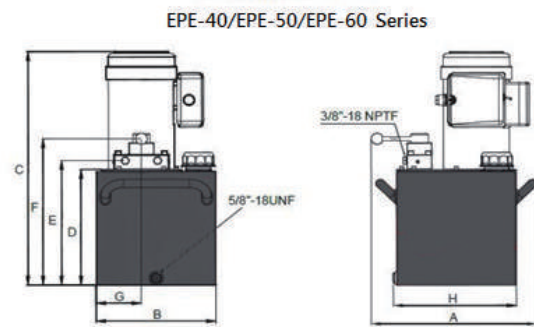
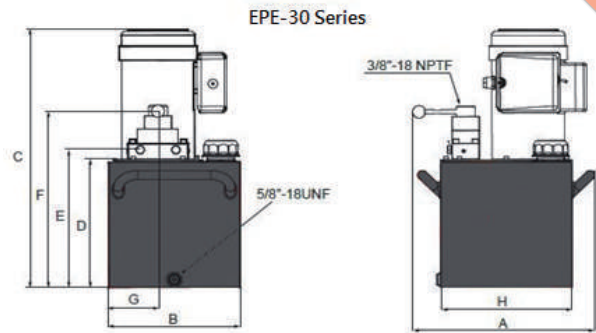


EP	E	30	S4L	2	A	A	G
1	2	3	4	5	6	7	
Product Type	Motor Type	Flow Group	Valve Type /Operation	Reservoir Size	Voltage	Pump Options	

1 - Product Type	
EP	Pump
2 - Motor Type	
E	Induction Electric Motor, TEFC
3 - Flow Group	
30	4.8 /0.3L /min @ 48/700 BAR, ½ Hp
40	5.1 /0.6 L/min @ 48/700 BAR, 1 Hp
50	7.8 /1 L/min @ 48/700 BAR 1.5 Hp
4 - Valve Type/Operation	
PMB2	Pump Mounted Manifold Block - Pressure & Return Ports Only
DMP	Dump Valve w/motor pendant 2W/2P
DSP	Dump Solenoid Valve w/pendant 3W/2P (Spool Type Valve)
H2S	Solenoid Valve 2W/2P-Pendant Control On/Off Only (Poppet Type Valve)
M2N	Manual Valve 3W/2P
M3N	Manual Valve 3W/3P
M4N	Manual Valve 4W/3P
M3L	Manual Valve 3W/3P w/Locking Plate
M4L	Manual Valve 4W/3P w/Locking Plate
W2N	Manual Valve 3W/2P w/10ft Motor Control Pendant
W3N	Manual Valve 3W/3P w/10ft Motor Control Pendant
W4N	Manual Valve 4W/3P w/10ft Motor Control Pendant
W3L	Manual Valve 3W/3P w/Locking Plate and 10ft Motor Control Pendant
W4L	Manual Valve 4W/3P w/Locking Plate and 10ft Motor Control Pendant
S3N	Solenoid Valve 3W/3P (Spool Type)
S4N	Solenoid Valve 4W/3P (Spool Type)
S3L	Solenoid Valve 3W/3P w/Locking Plate (Spool Type Valve)
S4L	Solenoid Valve 4W/3P w/Locking Plate (Spool Type Valve)
5 - Reservoir Size	
01	1 Gallon / 3.8 L
02	2 Gallons / 7.6 L
03	3 Gallons / 11.4 L
05	5 Gallons / 19.4 L
10	10 Gallons / 38 L
15	15 Gallons / 56 L
25	25 Gallons / 95 L
6 - Voltage	
A	120V 1 ph 50 Hz
D	230V 1 ph 50 Hz - European Plug
E	240V 1 ph 60Hz - NO Plug
7 - Pump Options	
A	External Pressure Adjustment Block (available on any models with 3W/3P or 4W/3P)
G	Gauge w/Gauge Adapter 0-15,000 psi 2-1/2" Wet- Installed "A" Port
M	Intermittent Motor Option (available on solenoid equipped models only EXCEPT H2S option)
P	Pressure Switch (available on solenoid equipped models only)
U	Foot Control Switch (available on solenoid equipped models only)
W	wireless Control (available on solenoid equipped models only)

Not all options are available in all configurations. Table is for reference only. Please consult your local EPP dealer if you want to order a custom pump or if you have questions.

EPE, Electric Pumps



Reservoir Size (L)	Dimensional Table (mm)								Pump Weight by Series* (kg)			
	A	B	C	D	E	F	G	H	EPE30	EPE40	EPE50	EPE60
3.8	323	262	485	119	145	305	206	315	27.7	-	-	-
7.6	424	305	455	152	175	335	114	315	34.0	32.7	-	-
11.4	424	305	500	183	208	267	114	315	38.1	36.7	41.3	-
18.9	424	305	630	312	335	394	114	315	-	46.3	50.8	47.3
37.9	531	419	800	483	505	566	211	419	-	83.5	88.0	-
56.8	531	419	879	561	587	645	211	419	-	115.7	120.2	76
94.6	650	541	879	561	587	645	269	541	-	164.2	168.7	-

* Pump weights include oil.

3-Phase Electric Pumps

3-Phase Pump Matrix Chart

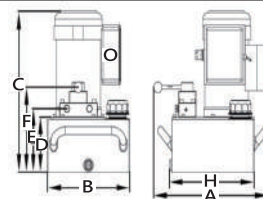
If you don't see a pump that would fit your application needs, you can custom build a pump to your desired specifications. Use this Pump Matrix Chart as a guide for creating your very own custom built Electric Pump. For assistance in building your pump, call your local EPP Representative.



EP 1	E 2	60 3	M4N 4	06 5	W 6	A G 7
Product Type	Motor Type	Flow Group	Valve Type /Operation	Reservoir Size	Voltage	Pump Options

1 - Product Type	
EP	Pump
2 - Motor Type	
E	Induction Electric Motor, TEFC
3 - Flow Group	
40	5.1 L/min @ 48 BAR 0.6 L/min @ 700 BAR, 1.0 Hp
60	9.7 L/min @ 48 BAR 1.8 L/min @ 700 BAR, 3.0 Hp
4 - Valve Type/Operation	
CMR	Pump Mounted Manifold Block - Pressure & Return Ports Only
DSP	Dump Solenoid Valve w/pendant 3W/2P (Spool Type Valve)
H2S	Solenoid Valve 2W/2P-Pendant Control On/Off Only (Poppet Type Valve)
M2N	Manual Valve 3W/2P
M3N	Manual Valve 3W/3P
M4N	Manual Valve 4W/3P
M3L	Manual Valve 3W/3P w/Locking Plate
M4L	Manual Valve 4W/3P w/Locking Plate
S3N	Solenoid Valve 3W/3P (Spool Type)
S4N	Solenoid Valve 4W/3P (Spool Type)
S3L	Solenoid Valve 3W/3P w/Locking Plate (Spool Type Valve)
S4L	Solenoid Valve 4W/3P w/Locking Plate (Spool Type Valve)
5 - Reservoir Size	
02	2 Gallons / 7.6 L
03	3 Gallons / 11.4 L
05	5 Gallons / 19.4 L
06	6 Gallons
10	10 Gallons / 38 L
15	15 Gallons / 56 L
25	25 Gallons / 95 L
40	40 Gallons / 150 L
6 - Voltage	
G	208-240V 3 ph 60 Hz - No Plug
W	380-415V 3 ph 50 Hz - No Plug
J	460-480V 3 ph 60 Hz - No Plug or Wire
7 - Pump Options	
A	External Pressure Adjustment Block (available on any models with 3W/3P or 4W/3P)
G	Gauge w/Gauge Adapter 0-15,000 psi 2-1/2" Wet- Installed "A" Port
P	Pressure Switch (available on solenoid equipped models only)
U	Foot Control Switch (available on solenoid equipped models only)
W	wireless Control (available on solenoid equipped models only)

Not all options are available in all configurations. Table is for reference only. Please consult your local EPP dealer if you want to order a custom pump or if you have questions.



Model Number	Dimensions (mm)							Weight (kg)
	A	B	C	D	E	F	H	
380 Volt								
EPE60M4N06W	524	376	583	224	247	307	436	62

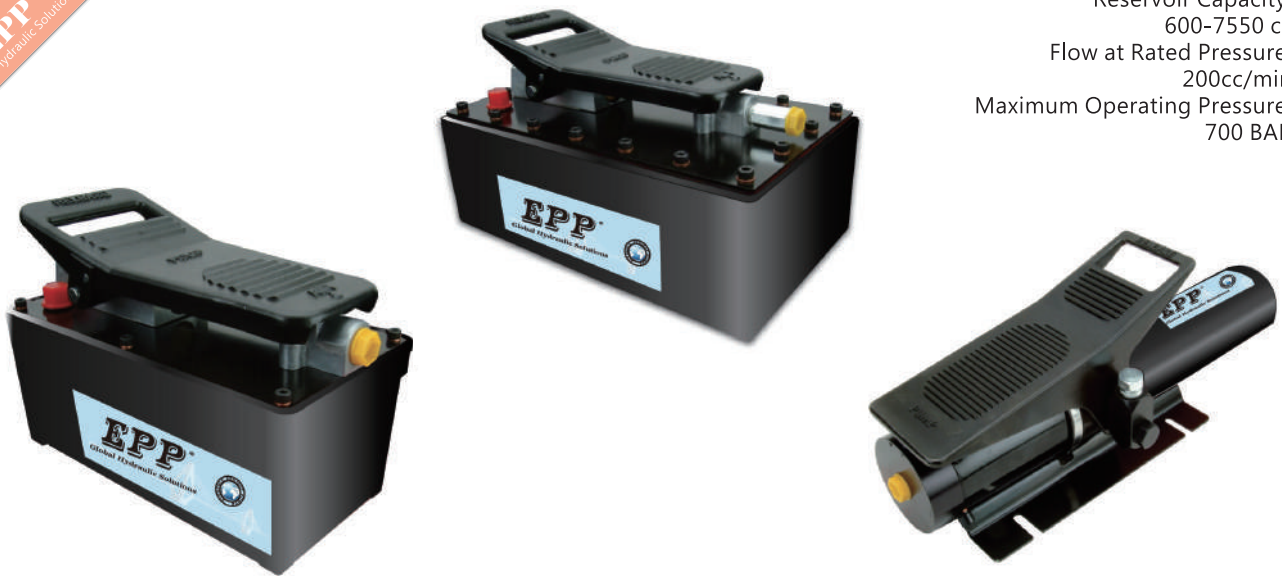
Model Number	Valve Type	Valve Function	Motor Voltage (volts)	Sound Level (dBA)	Motor Size (kW)	Usable Oil capacity (L)	Pressure Rating (Bar)		Oil Output Flow Rate (L)		Current Draw (Amp)
							1 st Stage	2 nd Stage	1 st Stage	2 nd Stage	
380 Volt											
EPE60M4N06W	Manual	4-Way 3-Position	380	80	2.24	22.7	48	700	6.3	1.33	4.5

Air Pumps

- High strength reinforced alloy reservoir is lightweight and corrosion resistant.
- Pressure relief valves for overload protection.
- EPA1500M and EPA3801M offer a 4-way control valve for operation of double acting cylinders.
- EPA600H same as EPA600, but with Hand Operation.
- Maximum working pressure: 700 bar / 10,000 psi



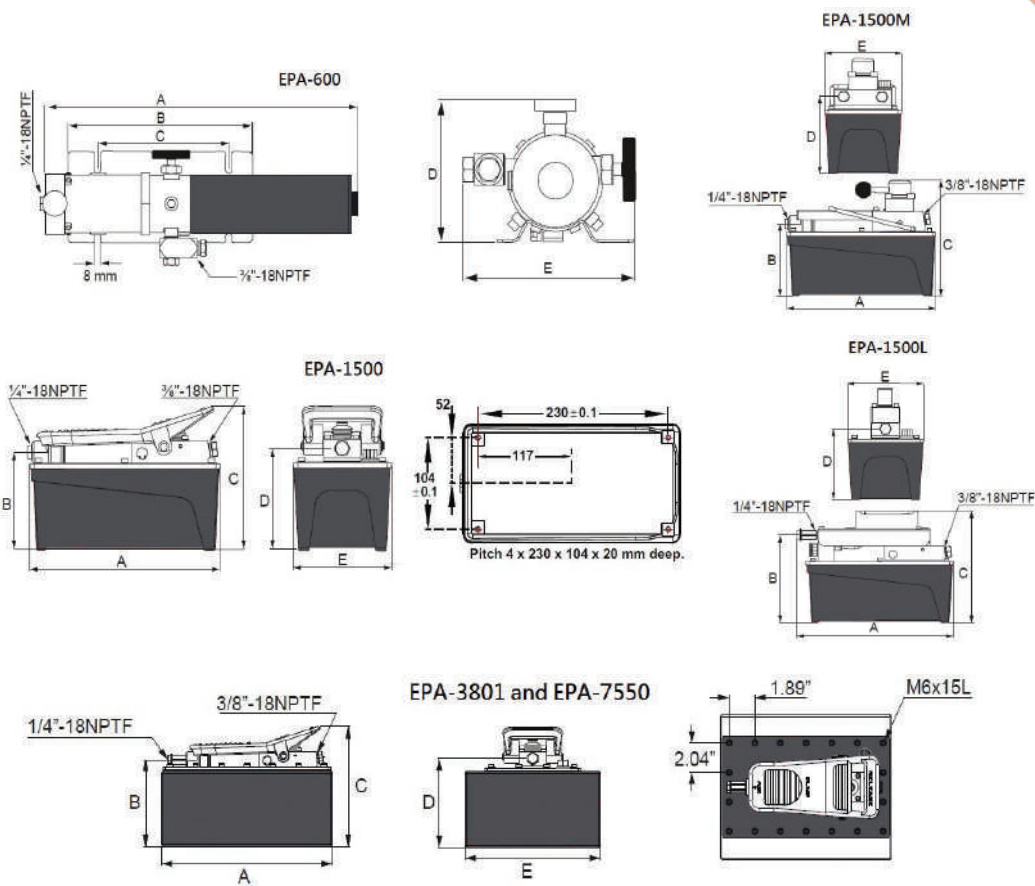
Reservoir Capacity:
600-7550 cc
Flow at Rated Pressure:
200cc/min
Maximum Operating Pressure:
700 BAR



Usable Oil Capacity (cc)	Oil Outlet Port	Output Flow Rate		Input Air Pressure Required (BAR)	Air Consumption (L/min)	Reservoir Construction	Model Number
		No Load (L/min)	Load (L/min)				
Single Acting							
600	3/8"-18 NPTF	1.00	0.15	7.59-12.07	220.87	Aluminum	EPA-600
600	3/8"-18 NPTF	1.00	0.15	7.59-12.07	220.87	Aluminum	EPA-600H
1500	3/8"-18 NPTF	1.08	0.18	7.59-12.07	220.87	Aluminum	EPA-1500
1500	3/8"-18 NPTF	1.08	0.18	7.59-12.07	220.87	Aluminum	EPA1500A*
1500	3/8"-18 NPTF	1.00	0.16	7.59-12.07	220.87	Aluminum	EPA1500L**
2000	3/8"-18 NPTF	1.07	0.20	7.59-12.07	220.87	Aluminum	EPA2000
3800	3/8"-18 NPTF	1.07	0.18	7.59-12.07	220.87	Steel	EPA3801
3800	3/8"-18 NPTF	1.00	0.16	7.59-12.07	220.87	Steel	EPA3801L**
7550	3/8"-18 NPTF	1.07	0.18	7.59-12.07	220.87	Steel	EPA7550
Double Acting							
1500	3/8"-18 NPTF	1.08	0.18	7.59-12.07	220.87	Aluminum	EPA1500M
3800	3/8"-18 NPTF	1.07	0.18	7.59-12.07	220.87	Steel	EPA3801M
7550	3/8"-18 NPTF	1.07	0.18	7.59-12.07	220.87	Steel	EPA7550M

* This unit is equipped with an external pressure adjustment (70-700 ber).

**These pumps are equipped with a hand held air powered pendant.

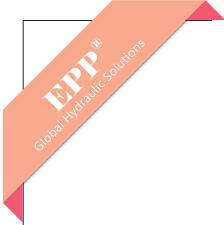


Base Mounting Holes	Dimensions (mm)					Weight w/Oil (kg)	Model Number
	A	B	C	D	E		
Single Acting							
yes	426	250	178	157	142	6.4	EPA-600
yes	426	250	178	114	146	5.7	EPA-600H
yes	263	127	185	131	136	8.2	EPA-1500
yes	263	127	185	131	136	8.2	EPA1500A*
yes	278	160	204	130	136	8.8	EPA1500L**
yes	321	163	207	132	187	9.1	EPA2000
no	321	129	187	133	187	12.3	EPA3801
no	321	163	207	132	187	13.8	EPA3801L**
no	321	127	211	156	214	16.3	EPA7550
Double Acting							
yes	267	127	203	136	136	8.7	EPA1500M
no	321	128	204	135	187	10.9	EPA3801M
no	321	152	229	161	255	18.1	EPA7550M

* Unit is equipped with an external pressure adjustment(70-700ber).

**These pumps are equipped with a hand held air powered pendant.

Rotary Air Pumps



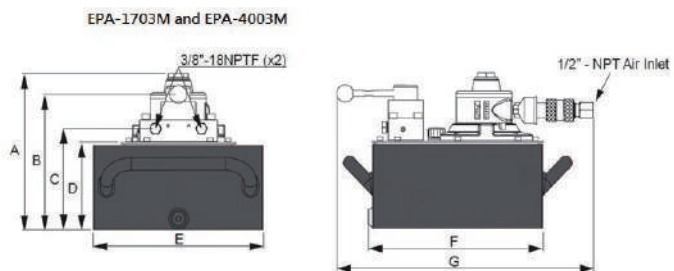
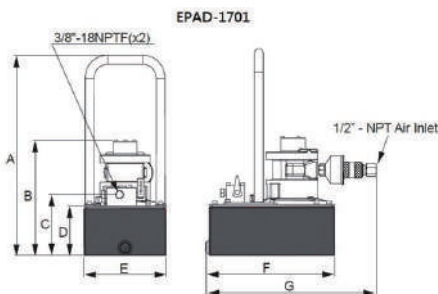
EPAD-1701



Reservoir Capacity: 3800-11400cc
 Flow at Rated Pressure: 0.36-1.15L/min
 Maximum Operating Pressure: 700 BAR

Used with Cylinder	Motor Size (hp)	Usable Oil Capacity (cc)	Pressure Rating (BAR)	Pressure Rating		Oil Output Flow Rate		Valve Type	Valve Function	Air Pressure Range (BAR)	Model Number
				1 st Stage (BAR)	2 nd Stage (BAR)	1 st Stage (L/min)	2 nd Stage (L/min)				
Single Acting	1.7	3800	700	48.30	700	5.13	0.36	Dump	Advance/Return	4.14~5.52	EPAD-1701
	1.7	11400	700	48.30	700	5.13	0.36	Dump	Advance/Return	4.14~5.52	EPAD-1703
	1.7	11400	700	48.30	700	6.83	0.36	Manual PVM33	Advance/Hold/Return	4.14~5.52	EPA-1703M
	4	11400	700	48.30	700	7.62	1.15	Dump	Advance/Return	4.14~0.69	EPAD-4003
	4	11400	700	48.30	700	8.39	1.15	Manual PVM33	Advance/Hold/Return	4.14~0.69	EPA-4003M
Double Acting	1.7	11400	700	48.30	700	6.83	0.36	Manual PVM43	Advance/Hold/Return	4.14~5.52	EPA-1703MD
	4	11400	700	48.30	700	8.39	1.15	Manual PVM43	Advance/Hold/Return	4.14~0.69	EPA-4003MD

Air Consumption (L/min)	Max Sound Level (dBA)	Dimensions (mm)								Weight (kg)	Model Number
		A	B	C	D	E	F	G			
1245.94	93	485	239	147	120	205	313	404	19.1	EPAD-1701	
1245.94	93	-	304	212	185	305	313	456	24.5	EPAD-1703	
1245.94	93	303	267	209	185	305	313	459	24.9	EPA-1703M	
2690.10	100	-	344	212	185	305	313	467	29.9	EPAD-4003	
2690.10	100	344	267	209	185	305	313	470	30.4	EPA-4003M	
1245.94	93	303	267	209	185	305	313	459	24.9	EPA-1703MD	

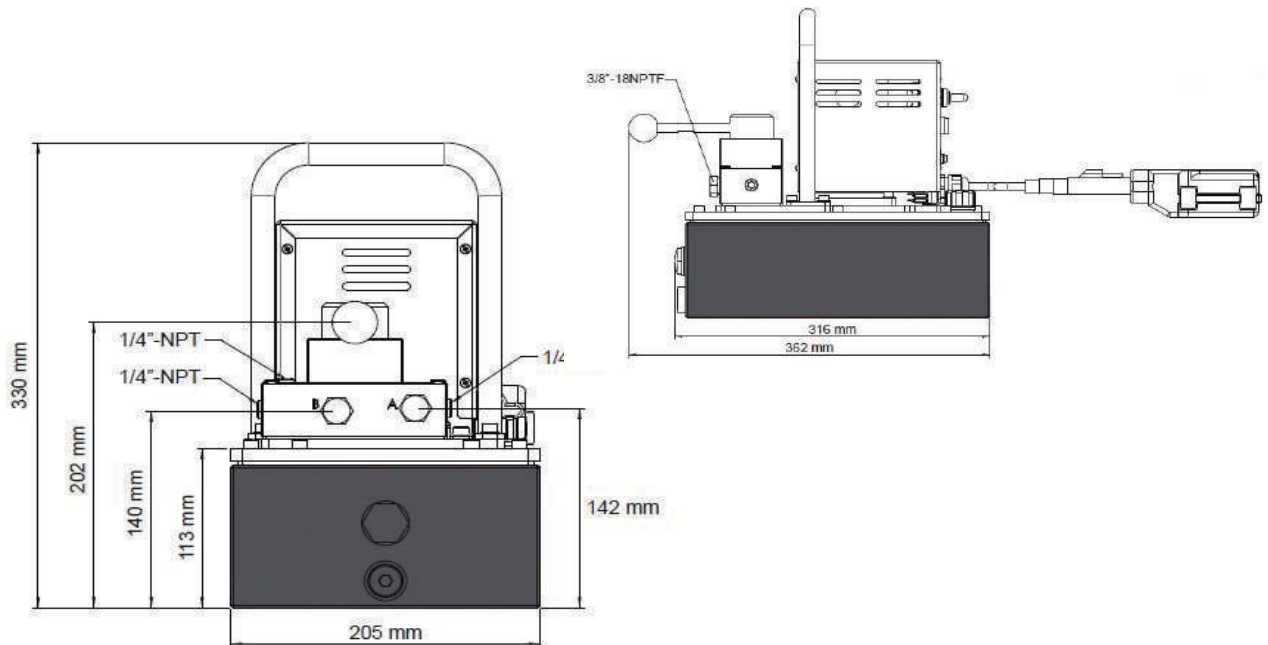


Universal Motor Pumps

- Portable, light weight and compact design.
- Two-speed operation for rapid cylinder advance and improved productivity.
- Pressure relief valves for overload protection.
- All models are available with auto return valve.
- 1 Gallon Reservoir.



Reservoir Capacity:
3750cc
Flow at Rated Pressure:
0.46L/min
Maximum Operating Pressure:
700 BAR



Valve Function	Flow Rate				Motor Size	Voltage 50/60 Hz		Weight (kg)	Length (mm)	Width (mm)	Height (mm)
	1st Stage		2nd Stage			120 VAC	240 VAC				
	L/min	BAR	L/min	BAR		Model #	Model #				
3W/3P Advance/Hold Return	2.18	13.80	0.46	700	1.0 Hp	EPU20M3N01B	EPU20M3N01C	16.8	362	205	300
4W/3P Advance/Hold/Return	2.18	13.80	0.46	700	1.0 Hp	EPU20M4N01B	EPU20M4N01C	16.8	362	205	300

Gas and Diesel Pumps

Gas pumps:

- Two-speed pump allows for faster cylinder advance.
- Gas pump frame a sturdy protection roll cage can prevent any damage that might occur on a job site.
- Manual control valve is available for single or double acting cylinders or tools.
- High by-pass pressure increases productivity.

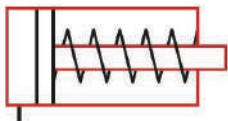



Diesel Pumps:

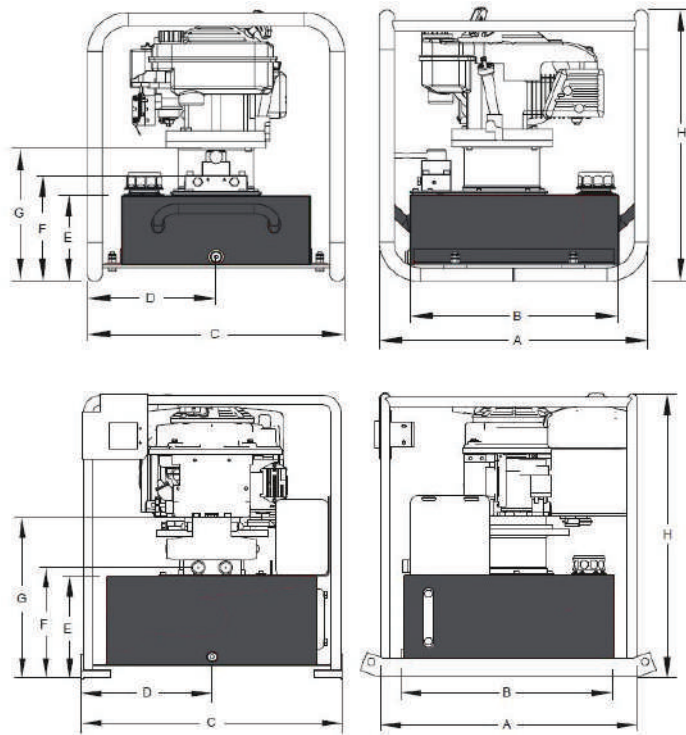
- Two-speed pump allows for faster cylinder advance.
- Diesel pump frame a sturdy protection roll cage can be used in tough environments.
- Locking solenoid control valve is available for single or double acting cylinders or tools.
- Remote control is applicable.



EPP[®]
Global Hydraulic Solutions

Valve Function	Valve Type	Use with Cylinder Type	Flow Rate			
			1 st Stage		2 nd Stage	
			L/min	BAR	L/min	BAR
3W/3P Advance/Hold Return	Manual		7.0	48.3	1.6	700
	Solenoid (only for Diesel)		9.8	48.3	3.3	700
4W/3P Advance/Hold Return	Manual		7.0	48.3	1.6	700
	Solenoid (only for Diesel)		9.8	48.3	3.3	700

Gas and Diesel Pumps



EPP[®]
Global Hydraulic Solutions

Model Number*	Dimensions (mm)								Weight** (Kg)
	A	B	C	D	E	F	G	H	
Gas Pumps									
EPG-70xxx05	675	546	532	266	292	316	393	627	73.5
EPG-70xxx10	718	594	686	343	305	328	441	627	137.4
EPG-70xxx15	718	594	686	343	305	328	441	627	168.7
Diesel Pumps									
EPD-70xxx05	675	546	532	266	292	316	393	828	115.7
EPD-70xxx10	718	594	686	343	305	328	441	828	149.2
EPD-70xxx15	718	660	686	343	305	328	441	828	182.8

* "xxx" in the model number refers to the type of valve you may use on the gas/diesel engine pump. Refer to your local EPP dealer or the Matrix Chart (on page 53) to build your own pump.

** Pump weights include oil.

Motor HP / Type	Usable Oil Capacity			
	5 Gallons	10 Gallons	15 Gallons	40 Gallons
	Model Number	Model Number	Model Number	Model Number
Gas - 5.5 Hp Honda	EPG-70M3N05	-	-	-
Gas - 10.2 Hp Honda	EPG-90S3L05	EPG-90S3L10	EPG-90S3L15	EPG-90S3L40
Diesel - 7.3 Hp HATZ	EPD-80S3L05	EPD-80S3L10	EPD-80S3L15	EPD-80S3L40
Gas - 5.5 Hp Honda	EPG-70M4N05	-	-	-
Gas - 10.2 Hp Honda	EPG-90S4L05	EPG-90S4L10	EPG-90S4L15	EPG-90S4L40
Diesel - 7.3 Hp HATZ	EPD-80S4L05	EPD-80S4L10	EPD-80S4L15	EPD-80S4L40

Gas Diesel Pump Matrix Chart

If you don't see a pump that would fit your application needs, you can custom build a pump to your desired specifications. Use this Pump Matrix Chart as a guide for creating your very own custom gas/diesel pump. For assistance in building your pump, call your local EPP Representative.

EP 1 Product Type	G 2 Motor Type	70 3 Flow Group	M4N 4 Valve Type /Operation	10 5 Reservoir Size
-------------------------	----------------------	-----------------------	-----------------------------------	---------------------------

1 - Product Type

EP Pump

2 - Motor Type

G Gas Motor
D Diesel Motor

3 - Flow Group

70 7L/min@ 48 BAR 1.64L/min@ 700BAR 5.5Hp
80 9.8L/min@ 48 BAR 3.3L/min@ 700BAR 7.3Hp
90 17.5L/min@ 48 BAR 3.3L/min@ 700BAR 10.2Hp

4* - Valve Type/Operation

GMR Pump Mounted Manifold Block - Pressure & Return Ports Only
DSP Dump Solenoid Valve w/pendant 3W/2P (Spool Type Valve)
H2S Solenoid Valve 2W/2P-Pendant Control On/Off Only (Poppet Type Valve)
M2N Manual Valve 3W/2P
M3N Manual Valve 3W/3P
M4N Manual Valve 4W/3P
M3L Manual Valve 3W/3P w/Locking Plate
M4L Manual Valve 4W/3P w/Locking Plate
S3N Solenoid Valve 3W/3P (Spool Type)
S4N Solenoid Valve 4W/3P (Spool Type)
S3L Solenoid Valve 3W/3P w/Locking Plate (Spool Type Valve)
S4L Solenoid Valve 4W/3P w/Locking Plate (Spool Type Valve)

5 - Reservoir Size

05 5 Gallons
10 10 Gallons
15 15 Gallons
25 25 Gallons
40 40 Gallons

6-Pump Options

A External Pressure Adjustment Block (available on any models with 3W/3P or 4W/3P)
G Gauge w/Gauge Adapter 0-15,000 psi 2-1/2" Wet- Installed "A" Port
P Pressure Switch (available on solenoid equipped models only)
U Foot Control Switch (available on solenoid equipped models only)
W wireless Control (available on solenoid equipped models only)

* Solenoid options are not available on the EPG&EPD Series Gas/Diesel Pumps

Not all options are available in all configurations. Table is for reference only. Please consult your local EPP dealer if you want to order a custom pump or if you have questions.

